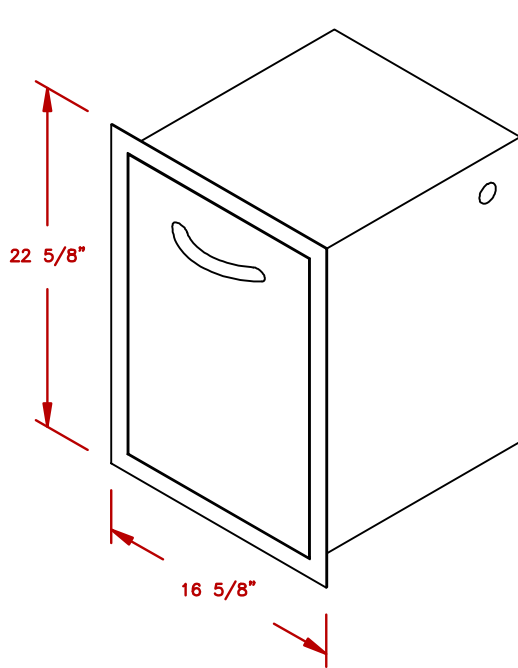
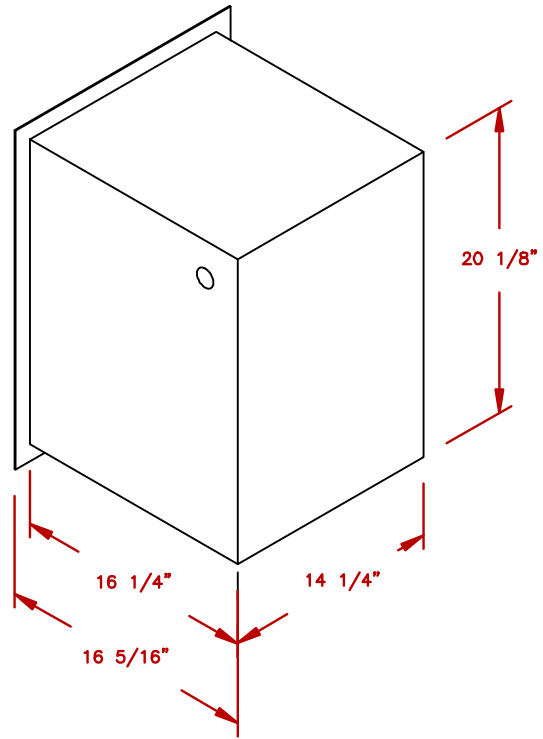


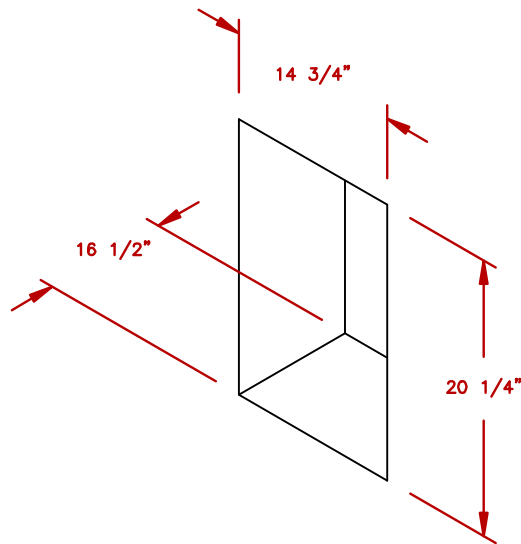
LINE	BBQ LINE
MODEL	PROPANE TANK DRAWER
NUM	



ISOMETRIC FRONT VIEW




ISOMETRIC BACK VIEW



CUT OUT DIMENSION

NOTE:
DUE TO OUR CONTINUOUS IMPROVEMENT PROGRAM, ALL MODELS
AND SPECIFICATIONS ARE SUBJECT TO CHANGE WITHOUT NOTICE.

	TITLE		2018 BARBECUE LINE DOORS & DRAWERS PROPANE TANK DRAWER
	SCALE:	DWG NO.	DWG BY
REVISED	REV. DESCR.	DATE	

BBQ07857P

J.ORNELAS

12/01/17